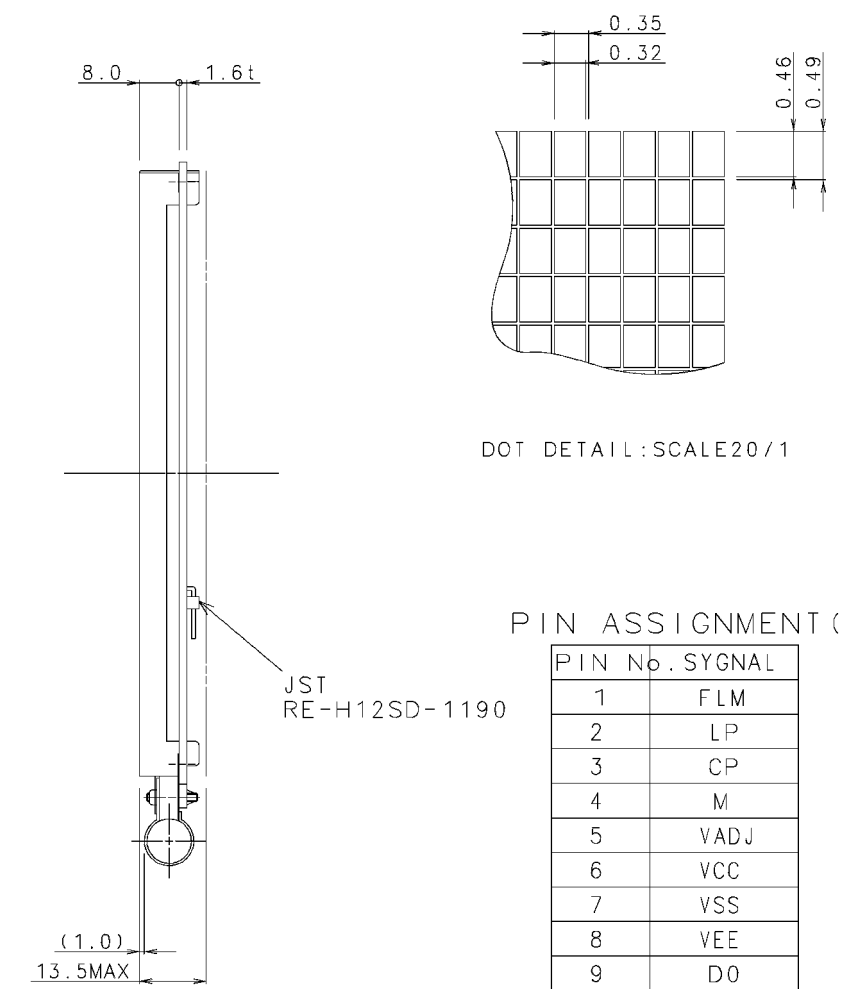
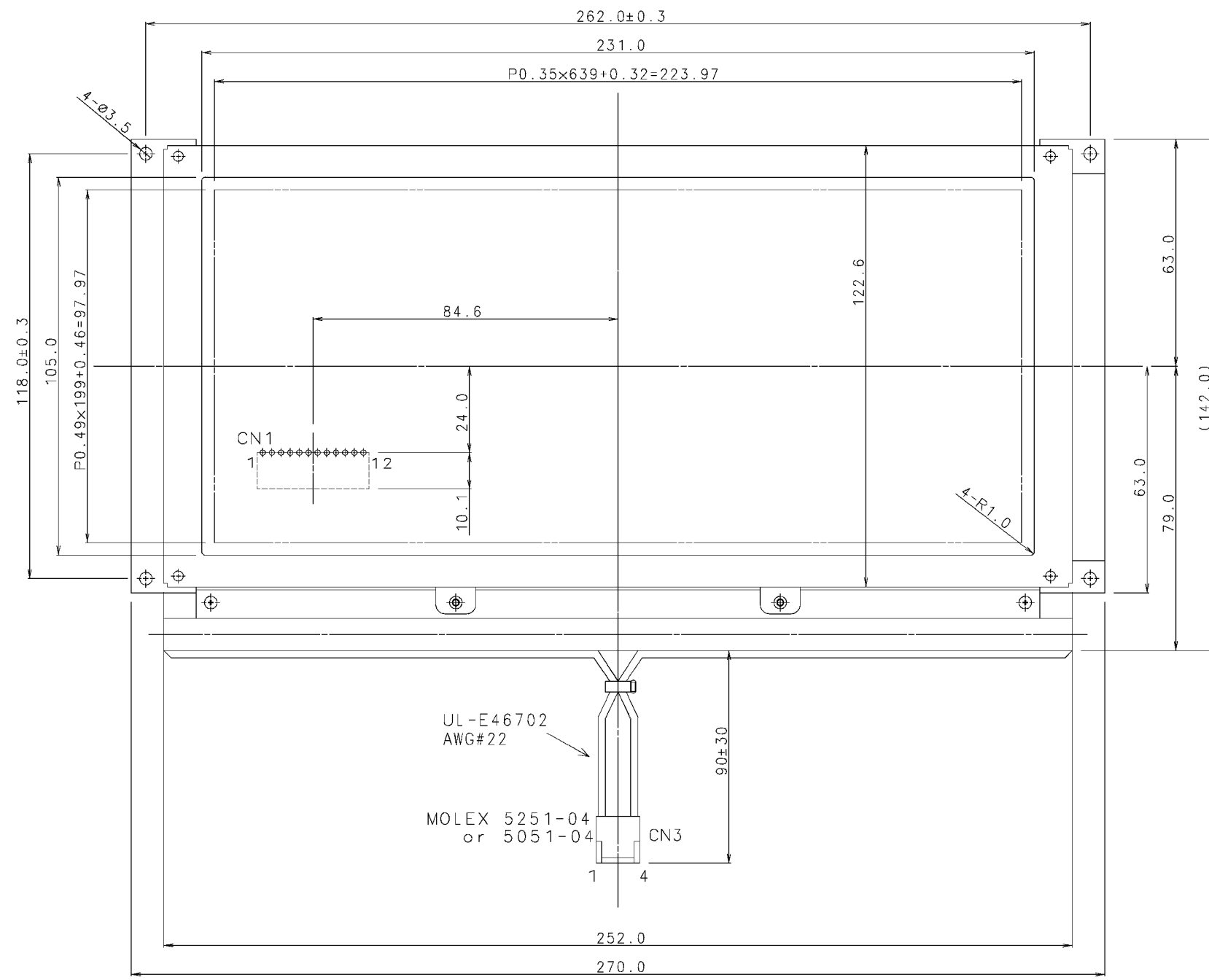


ISSUE	REVISIONS	DRAWN	APPROVED	DATE
△	CHANGE OF NOTE (JAPANESE-ENGLISH)	S.MIZOBUCHI		MAY. 10'93



DOT DETAIL: SCALE 20/1

PIN ASSIGNMENT (CN1)

PIN No.	SYGNAL
1	FLM
2	LP
3	CP
4	M
5	VADJ
6	VCC
7	VSS
8	VEE
9	D0
10	D1
11	D2
12	D3

PIN ASSIGNMENT (CN3)

PIN No.	SYGNAL
1	FL (HOT)
2	NC
3	NC
4	FL (GND)

NOTE

- 1.CFL CABLE SHOWS ONLY FRONT VIEW OF DRAWING.
- 2.CN1 INDICATED A HALL OF FIT ON THE CONNECTOR.

TOLERANCE			THIRD ANGLE PROJECTION	DATE NOV.26'90	OPTREX CORPORATION
MEASURE	A	B			
L≤16	±0.1	±0.3	±1	UNIT	APPROVED S.Kuwabara
16<L≤63	±0.2	±0.5	±1.5	mm	CHECKED S.Mizobuchi
63<L≤250	±0.3	±0.8	±2	SCALE	1:1
250<L≤500	±0.5	±1.2	±3	DRAWN	T.KUBA
500<L	±0.8	±2	±4	ANGLE	±1° ±5° ±10°

TITLE	CODE	DWG NO
DIMENSIONAL OUTLINE	DMF-50036 Series	UE-20575A